

SWING HANDLE LOCK

WM-2000C-MS840/MS840L

System Description

The convenience of remote management and high-level security throughout your business anytime and from anywhere. Reducing key control problems, smart keys are programmed for individual users' access rights. Each lock and key stores every access attempt, allowing managers to view audit trail of who has entered or attempted to enter a particular location.

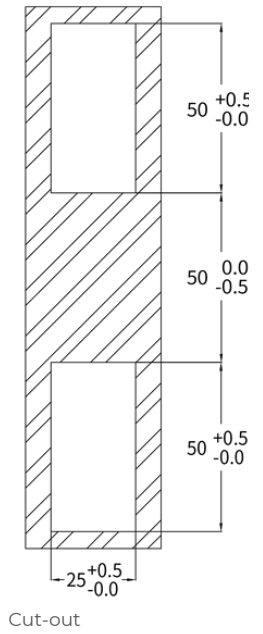
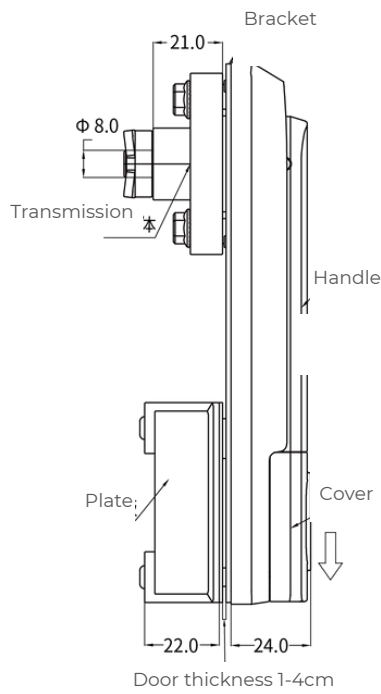
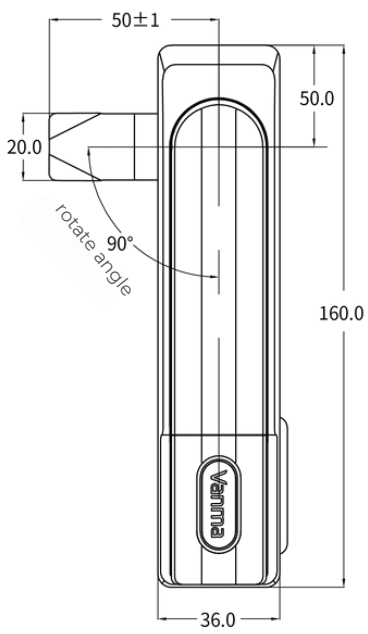
Feature

- Programmable electromechanic lock for Vanma® locking system
- No batteries or external energy source required for the lock
- All Vanma® padlocks and Vanma® keys are mechanically identical
- Powerful and secure AES256 encryption for common lock and key authentication
- Programmable lock opens with Vanma® keys
- Log memory for openings and opening attempts
- Blacklist for individual lost keys
- Access group list for key accesses
- Updatable firmware



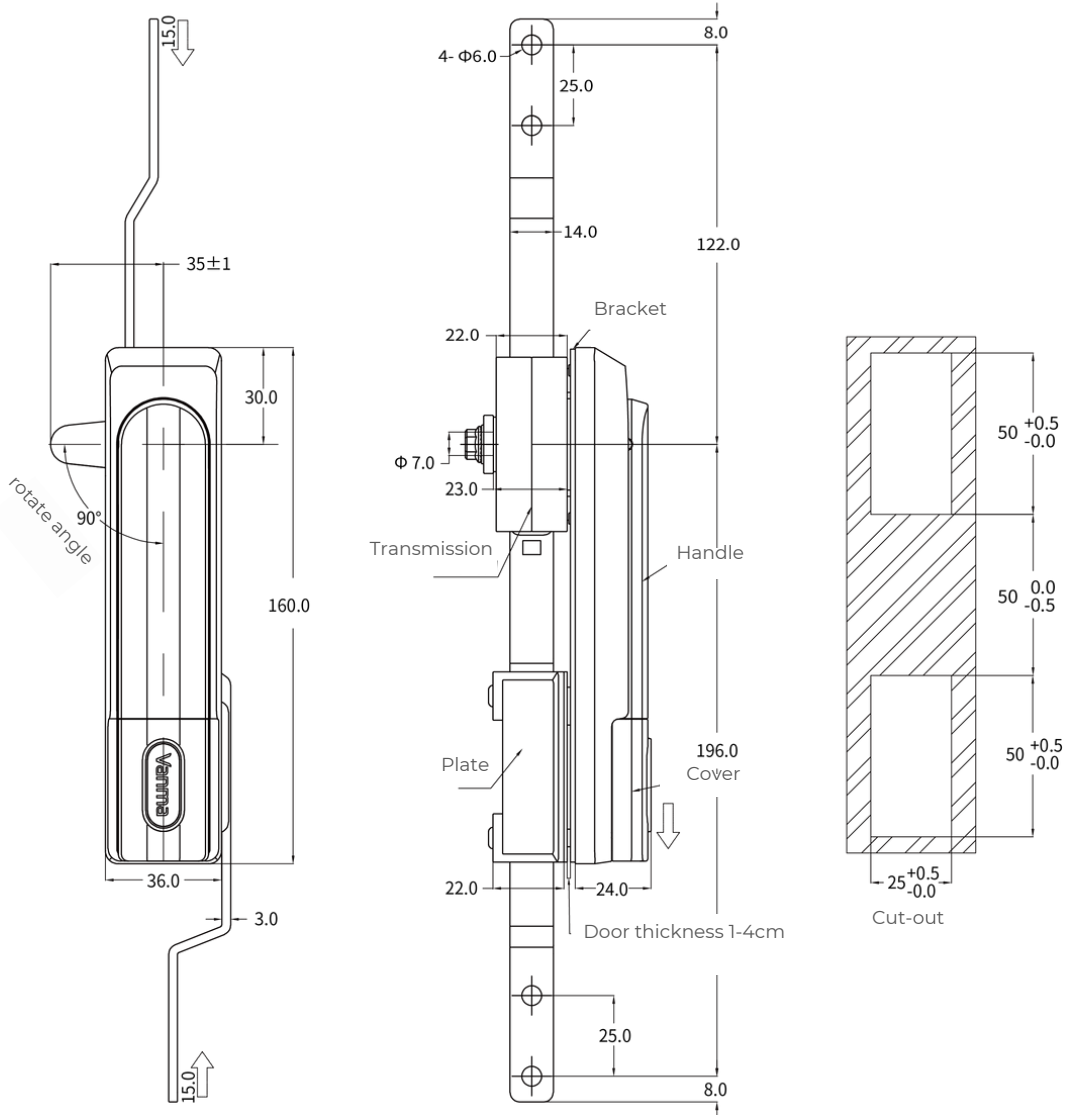
Drawings

Model:WM-2000C-MS840



Drawings

Model:WM-2000C-MS840L



Memory Capacity

- Blacklisted Keys..... 100 Pcs
- Lock Events.....60 Pcs

Technical Data

- Physical..... Hardened-steel with brushed finishing
- Weight (MS840/MS840L).....642.6g/794.9g
- IP Standard.....IP68
- Compatible Keys.....All Vanma keys